



**CAMARO GEN 6 / CADILLAC CTS-V
2016-2022
1500 HP FUEL MODULE**





Important! Must Read First

Congratulations on the purchase of the KPM Fuel System for your [2016-2022 Camaro Gen 6 and Cadillac CTS-V](#).

To ensure your fuel system is fitted correctly and operates perfectly and reliably, we advise that this kit is fitted by a KPM Fuel Systems Dealer workshop.

If you are unable to access a KPM Fuel Systems dealer, we **strongly** recommend a professional and experienced fully qualified technician to install your new fuel system.

Ask your qualified installer to contact KPM Fuel Systems on any aspect unclear in the instructions provided.

Email: support@kpmfuelsystems.com

As a wide variety of skills, procedures, special tools, and workshop equipment is needed to install this kit:

- KPM will take NO responsibility or give NO guarantees on the operation of this product for fitment not carried out by a KPM Fuel Systems dealer or experienced qualified technician.
- KPM will take NO responsibility or give NO guarantees on the operation of this product due to not fitting this kit exactly as per the instructions provided.
- Ensure correct workshop safety procedures are carried out in fitment of this kit.
- Please read **ALL** instructions before commencing fitment

Guarantee

On satisfaction that **ALL** instructions have been followed as per this document KPM will warrant this KPM Fuel System against any defects or faults for 12 months from the date of purchase.



Important

This fuel system is engineered to operate perfectly as a complete system. when used with all components as supplied only by KPM Fuel Systems.

Depending on the level of KPM Fuel System you have purchased, included in the kit will be the following;

- 1) KPM Fuel Module x1 – Primary (for increased flow and capacity)
 - 2) KPM Plug and Play Wiring/relay kit (for correct and reliable current supply)
- KPM Fuel Systems will take NO responsibility for the operation of this fuelsystem if any of the components listed are not utilized *with this* package.
 - KPM Fuel Systems will take NO responsibility for the operation of this fuel system if any of the components listed are replaced with a non-KPM approved component.
 - KPM will take NO responsibility for the operation of this fuel system if used on a vehicle NOT fully retrofitted for E85 Ethanol or flex fuel.

Note: E85 Ethanol is highly corrosive on many components.

Please be aware that if your car is NOT built for E85 Ethanol from manufacturer, it may be possible that components **NOT** supplied by KPM Fuel Systems will also need to be replaced or suited for E85 Ethanol. Examples of some possible non-compatible components - are fuel injectors, fuel filters, fuel lines, rubber hoses, fittings etc.

All KPM Fuel System components are 100% Ethanol and Gasoline compatible

Before Dismantling

- You will need to reduce residual fuel pressure in the fuel system to 0 kPa to enable disconnection of fuel lines.
- You can do this by removing the fuel pump fuse and running the engine until fuel pressure drops to 0 kPa.
- Disconnect the Battery.

Standard Fuel Module Removal

- 1) Drain fuel tank.
- 2) The vehicles fuel tank needs to be removed to access the in-tank fuel module.
 - a. Remove the fuel tank from your vehicle as per the manufacturer's instructions.
- 3) Remove the fuel lines from the fuel module (a quick disconnect tool is recommended for disconnecting fuel lines, take extra care in not crimping/damaging the fuel line on removal).
- 4) Remove the electrical connectors from the module.
- 5) Remove the retaining ring holding the fuel module to the tank, with the correct tool.
- 6) Lift the module from the tank until you can access and remove the large vent fitting under the lid.



- 7) Continue to lift the module out until you can access and remove the crossover pipe fitting from the elbow connector on the canister.
- 8) Continue to lift the module out until you can access and remove the cross-over feed fitting from the T-Piece connector.
- 9) Carefully lift the module completely from the fuel tank.



KPM Primary Fuel Module Fitment 1500HP

You will need to remove the fuel sender unit from the standard fuel module for fitment to the upgraded KPM Fuel Module.

- 1) Carefully lower the new fuel module into the tank, taking care not to damage the fuel sender and float mechanism while doing so.
- 2) Lower the module into the tank, until you can access and fit the large crossover feed fitting at the T-Piece connector.
- 3) Lower the module into the tank until you can access and fit the crossover pipe fitting at the elbow connector on the canister.
- 4) Lower to lift the module into the tank, until you can access and fit the large vent fitting under the lid.
- 5) Ensure all the crossover pipes and connectors click fully onto the fuel pump module canister.
- 6) Retention the retaining ring to secure the fuel module into the tank with the correct tool.
 - a. Ensure module is sitting square and flush on the seal prior to tensioning.
- 7) Refit fuel lines ensuring they have clicked on properly.
 - a. Take extra care in not crimping/damaging the fuel line on removal or replacement.

Be sure to read the [wiring fitment instructions](#) in the next section prior to re-fitting the fuel tank.

Wiring/Relay Fitment (Schematic Diagram Attached)

IMPORTANT INFORMATION

Due to the two Bosch Racing fuel pumps fitted to the KPM1500HP fuel module, the vehicles Fuel System Control Module (FSCM) is bypassed with this wiring kit.

This is due to the fuel pumps drawing an increased amperage much higher than the (FSCM) is designed for. Should you want to retain the OE fuel pressures and control that the FSCM offers, you will need the additional KPM PWM Fuel Control Module Kit.

Part #-CAM6PWM1500

- 1) Remove the Right Hand (RH) inner boot lining to expose the battery and surroundings.
- 2) Remove the base of the rear seat from the vehicle cabin.
- 3) On the RH floor area locate the sealed cap on the floor.
- 4) With a small screw driver, pop the cap out to allow access to the under-car fuel tank cavity.
 - a. This will allow provision to feed the new fuel pump wiring loom through into the cabin.



KPM FUEL SYSTEMS

- 5) Feed the new #Cam6-3 wiring loom through the floor and fit the supplied 35mm grommet in position.
 - a. This will allow the undercar side of the loom to hang under the vehicle ready to connect on the fuel tank fitment.
- 6) From in the cabin, follow the factory loom around to the side of the rear seat.
- 7) Locate the gap between the RH rear seat and body area, to be able to feed the new loom sections #Cam6-1 into the boot toward the battery.



- 8) Mount the supplied fuse box and relay securely on an appropriate surface near the battery and secure the loom.



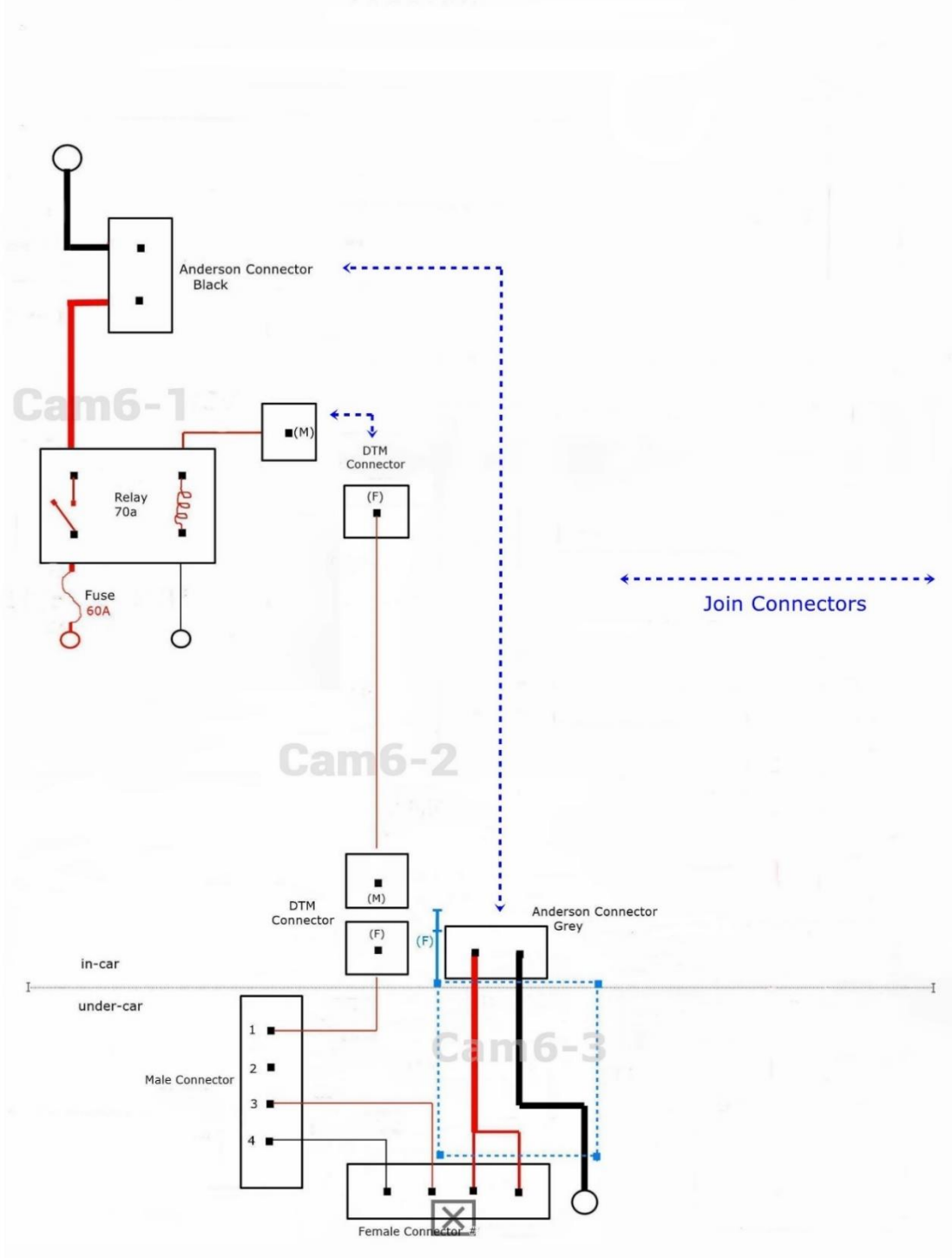
- 9) Attach the loom wires to the battery as per the circuit diagram below.



- 10) Ensure the rubber grommet is in position and fitted correctly.
- 11) Refit the rear seat base to vehicle.
- 12) Refit the RH inner boot lining.
- 13) You will now have the remainder of the new loom connectors hanging down into your fuel tank cavity area. These connectors will require re-connection to your factory loom and new fuel module on re-fitment of the fuel tank.
 - a. Be sure to connect the earth wire eyelet to the new fuel module earth stud by securing the supplied nut and washer.
- 14) Proceed to fit the remainder of your fuel tank as per manufacturer's instructions.

#CAM6WIRE1500

Camaro Gen6 2016-2021
Wiring Schematics





Engine Start Up

- 1) Refit the fuel pump fuse.
- 2) Reconnect your battery.
- 3) Ensure you have at least ½ tank of correct clean/fresh fuel.
- 4) Connect a fuel pressure gauge to the supply line at the fuel rail or read your fuel pressure on your scan tool.
- 5) Prime fuel system and start engine.
- 6) Check all fittings at pump and fuel rail for **NO** leaks.
- 7) Check pressures are within factory specifications below.

If not within the specifications below, you will need to check for correct fitment and take the normal course of diagnosis to rectify before proceeding.

- 8) Stop engine and relieve fuel pressure.
- 9) Remove fuel pressure gauge and refit fuel line.
- 10) Re-start engine and check for NO leaks.

IMPORTANT INFORMATION

As we test every module before it is shipped, we have operating pressures recorded for each specific part number.

Part Number	Idle Pressure (Max Pressure)	Full Load Pressure (Min Pressure)
KPMCAM61500	81-84 PSI	50 PSI

All KPM fuel modules listed have been manufactured and designed to run at the listed pressures at idle and light cruise. They have also been designed to decrease the fuel pressure while applying engine load for increased fuel demand.

This is how the system is designed to perform and is absolutely what you will expect to see while logging fuel pressures on road or dyno.

All KPM Fuel Modules are designed to perfectly supply fuel down to a minimum pressure of 350kpa at full demand for its power rating.

KPM Fuel Systems strongly recommends that you have your engine tune checked by a professional tuning workshop!

Depending on the previous fuel system your vehicle has been tuned to, your car may run differently with the new KPM Fuel System pressure and extra supply.

This can cause rich or lean fuel mixtures and possibly be detrimental to your engine!

It is your responsibility to have your vehicle checked and/or re-tuned by specialist methods to ensure correct fueling and engine safety and reliability.

It is your responsibility to have your vehicle checked and/or re-tuned by specialist methods to ensure any fault codes in the vehicles electronic management system/s are corrected.